

METAL DETECTABLE END COVER

BEARINGS

Baldor•Dodge Metal Detectable End Cover

Food and worker safety are big challenges facing food processing facilities today. Traditional plastic end covers that ensure worker protection from moving parts are not practical under the strict guidelines of the food and beverage industry.

Baldor believes in “taking care of our customers safely” as part of our culture. This includes finding a solution to keep workers safe in food and beverage facilities without compromising food quality.

Baldor•Dodge patent pending Metal Detectable End Covers are designed to provide a safe solution for food processing facilities. Food safety end covers are constructed of a durable, high-density polyethylene (HDPE) material containing stainless steel particles. This material allows the end covers to be detected by x-ray equipment and metal detectors used in the food and beverage industry, ensuring that if it falls into the food, it will be found.

Features:

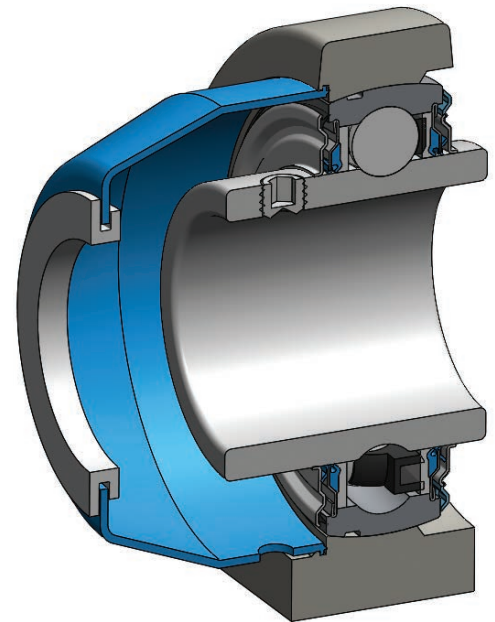
- Made from a detectable patent pending polyethylene material containing stainless steel.
- Easily visible blue color to provide quick inspection.
- Snap on style providing easy installation and rigid performance in washdown applications and fit all Baldor•Dodge E-Z Kleen and Ultra Kleen mounted ball bearings.

Baldor•Dodge Metal Detectable End Covers:

- Include a drain hole to prevent moisture from collecting inside the cover.
- Incorporate an additional lip on the mounting surface for a more rigid fit within the housing that creates a better seal and reduces the chances that the cover will get knocked off during operation or high pressure cleaning.
- Provide positive sealing in wet environments.
- Create a safer working condition by covering exposed, rotating shafts.



Patent Pending



Closed End Cover		
Series	Part Number	Description
204	128960	ECC-EZ-204
205	128961	ECC-EZ-205
206	128962	ECC-EZ-206
207	128963	ECC-EZ-207
208	128964	ECC-EZ-208
209	128965	ECC-EZ-209
210	128966	ECC-EZ-210

Open End Cover		
Shaft Size	Part Number	Description
3/4	128974	ECO-EZ-012
20mm	128991	ECO-EZ-20M
1	128975	ECO-EZ-100
25mm	128992	ECO-EZ-25M
1-3/16	128976	ECO-EZ-103
1-1/4	128989	ECO-EZ-104S
35mm	128993	ECO-EZ-30M
1-1/4	128977	ECO-EZ-104
1-7/16	128990	ECO-EZ-107
35mm	128994	ECO-EZ-35M
1-1/2	128978	ECO-EZ-108
40mm	128995	ECO-EZ-40M
1-11/16	128979	ECO-EZ-111
45mm	128996	ECO-EZ-45M
1-15/16	128980	ECO-EZ-115
50mm	128997	ECO-EZ-50M



P.O. Box 2400, Fort Smith, AR 72902-2400 U.S.A., Ph: (1) 479.646.4711, Fax (1) 479.648.5792, International Fax (1) 479.648.5895

Baldor - Dodge
6040 Ponders Court, Greenville, SC 29615-4617 U.S.A., Ph: (1) 864.297.4800, Fax: (1) 864.281.2433
www.baldor.com